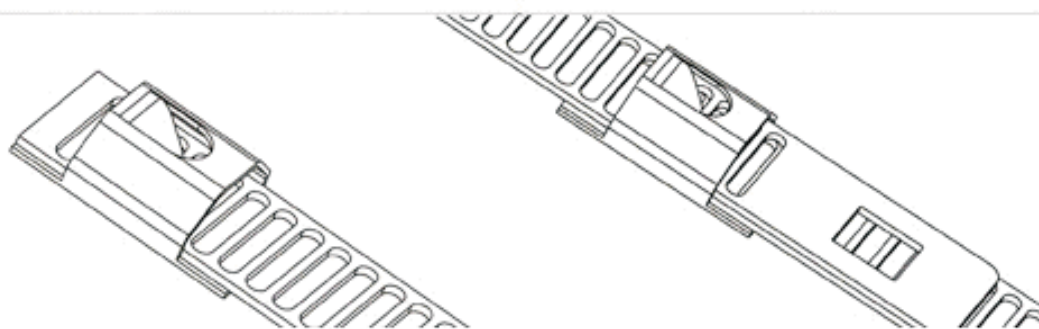


Part No	Appox.Length mm(inch)	Appox.Width mm(inch)	Max.Bundle Dia mm(inch)	Min. Loop Tensile Strength N(lbs)
FZLDSP-7X150	150(5.9)	7(0.276)	33(1.3)	600(135)
FZLDSP-7X225	225(8.86)		57(2.2)	
FZLDSP-7X300	300(11.8)		81(3.2)	
FZLSDP-7X335	335(13.2)		92(3.6)	
FZLSDP-7X400	400(15.7)		113(4.4)	
FZLSDP-7X450	450(17.7)		129(5.1)	
FZLSDP-7X490	490(19.3)		141(5.6)	
FZLSDP-7X550	550(21.7)		161(6.3)	
FZLSDP-7X600	600(23.6)		176(6.9)	
FZLSDP-7X650	650(25.6)		192(7.6)	
FZLSDP-7X700	700(27.6)		208(8.2)	
FZLSDP-7X750	750(29.5)		224(8.8)	
FZLSDP-7X800	800(31.5)		240(9.4)	

Install



High corrosion resistant ,Multi-lock type

Good loop tensile strength can touch 250Lbs

Manufactured from 316# & 304# stainless steel

Outdoor and Indoor use

Ideal for used in telecommunication, electricity, shipbuilding and oil gas industry

Working temperature:-40°C-85°C